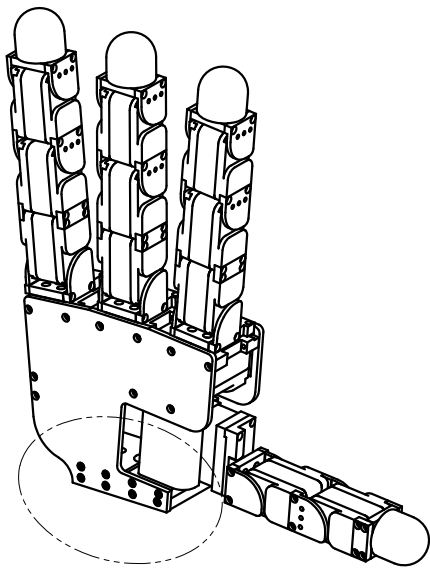
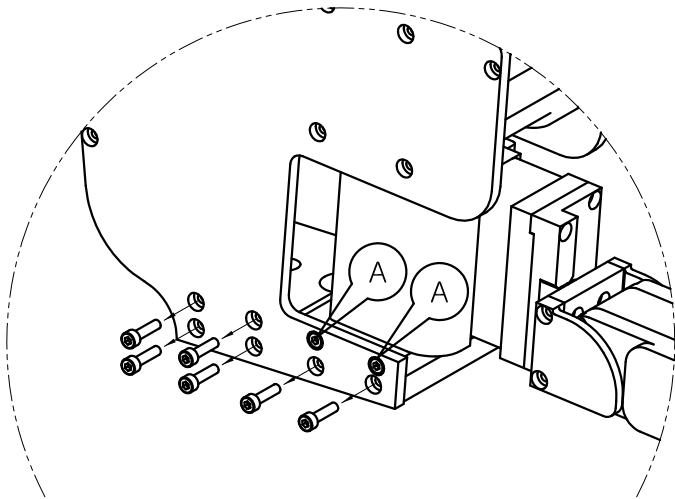


# How to mount the Allegro Hand



Pic. 1

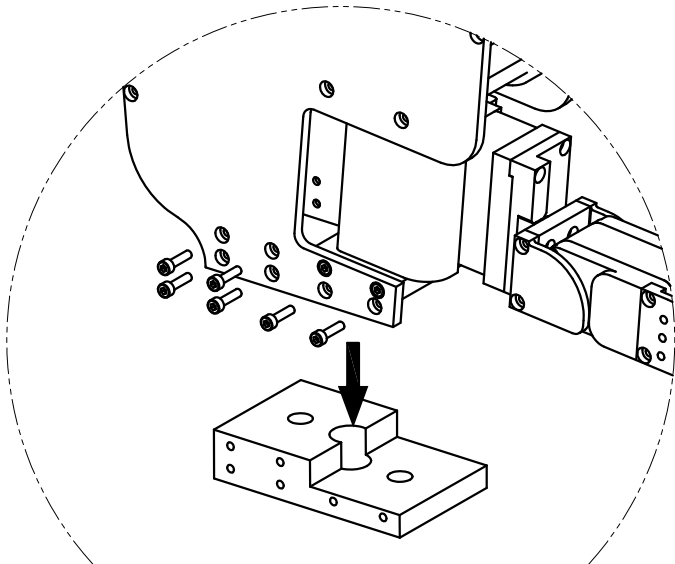
Remove the screws in the marked area.



Pic. 2

Remove 6 screws on each side of the Allegro Hand.  
Keep the screws for reuse.

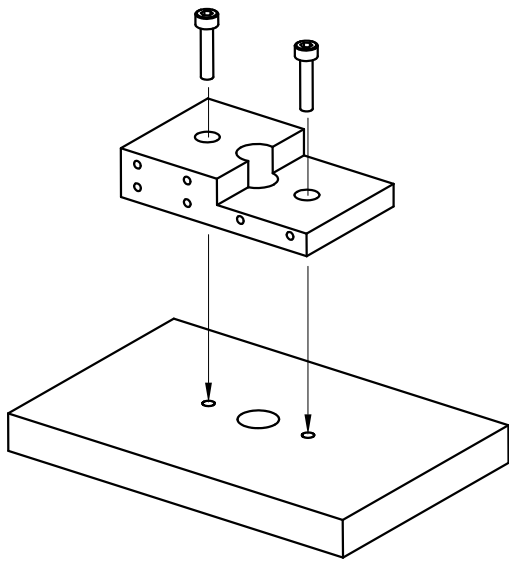
\*\* Do not remove the 2 screws marked "A"  
on either side.



Pic. 3

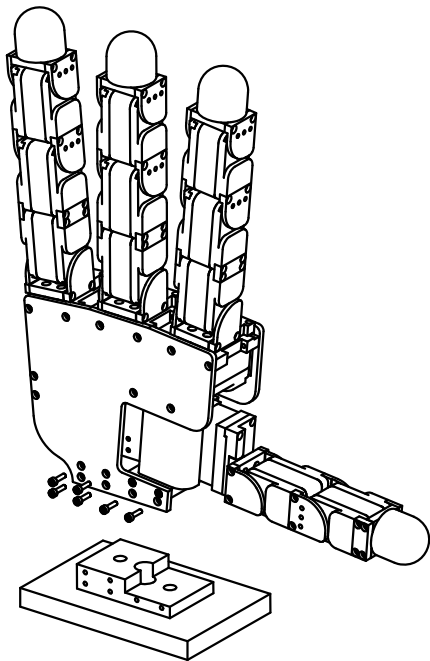
Remove mounting block

# How to mount the Allegro Hand



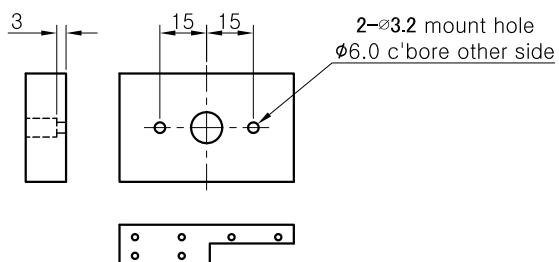
Mount the block onto the plate using 2 mount holes.

Pic. 4



Re-assemble the Allegro Hand on mounting block.

Pic. 5



\*\* Mounting block dimensions for reference.